

# Mooney™ FlowMax™ 2" Regulator NPT Flanged CL

The Mooney FlowMax 2" Single Port regulator is an economical and easy-to-maintain pilot loading type regulator specifically designed for low differential pressure applications. It is designed to be used in conjunction with a self-contained pilot control system to provide exceptional pressure control.

## Specifications

<b>Size</b>	2" (DN 50)
<b>Body Style</b>	Single port
<b>End Connections</b>	NPT 150 FF, 150 RF
<b>Temperature Working</b>	-20°F to 150°F (-29°C to 66°C)
<b>Emergency</b>	-40°F to 175°F (-40°C to 79°C)
<b>Max. Operating Differential</b>	250 psi (17 bar)
<b>Min. Operating Differential</b>	3 psid (0.21 bar)
<b>Max. Inlet Pressure</b>	250 psig <sup>1</sup> (17 bar)
<b>Outlet Pressure Range Series 20L</b>	5" w.c. to 8 psi (0.01 bar to 0.55 bar)
<b>Series 20</b>	3 psi to 248 psi (0.21 bar to 17 bar)
<b>Pilot Supply Body Tap</b>	One 1/4" - 18 NPT
<b>Sense Line Tap</b>	One 1/2" - 14 NPT

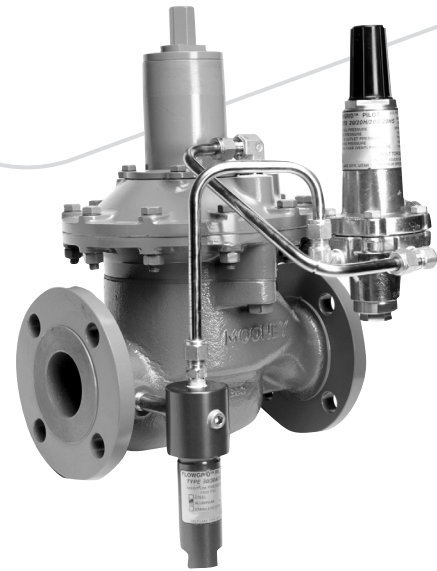
1. Limited by pilot or flange rating.

## Materials of Construction

<b>Body</b>	ASTM A 395 Ductile Iron
<b>Actuator Housing</b>	A 356-T6 Cast Aluminum
<b>Spring Case</b>	A 356-T6 Cast Aluminum
<b>Plug</b>	Nitrile
<b>Diaphragm</b>	Nitrile/Nylon
<b>O-Ring &amp; Seals</b>	Nitrile
<b>Bolting</b>	ASTM B8 or equal
<b>Spring</b>	Music wire

## Overpressure Protection

The Mooney FlowMax regulator has a full ASME rating of 250 psi (17 bar) on both the inlet and outlet connections as well as the actuator housing assembly. Overpressure protection is required only if the pressure can exceed the flange or body rating.



**FlowMax 2" Low Differential Regulator with Series 20 Pilot and Type 30 Filter**

The pilots, like most regulators, may have an outlet pressure rating lower than the inlet pressure rating. If this is the case, then some external form of over pressure protection must be provided for the pilot.

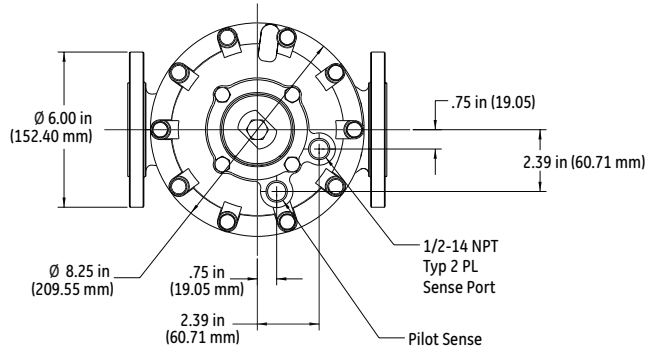
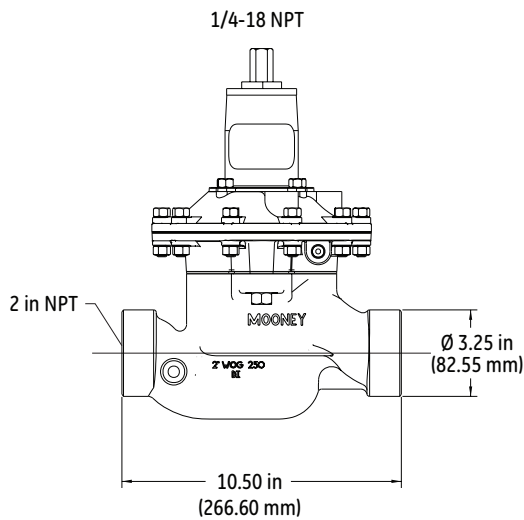
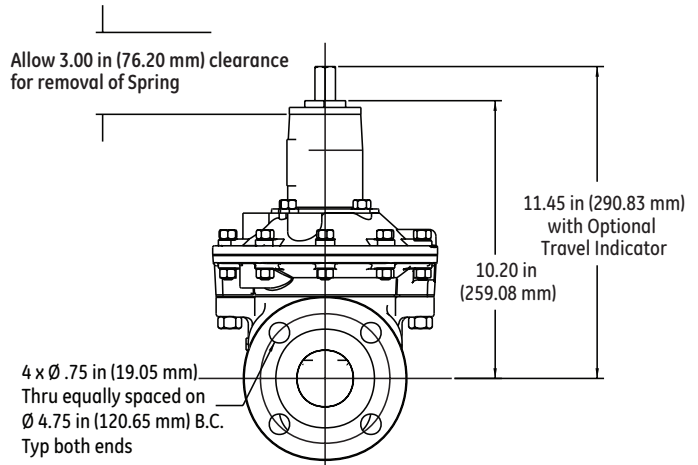
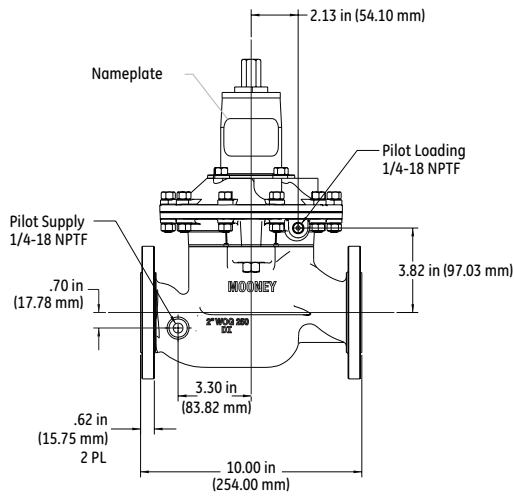
Anytime the FlowMax regulator or pilot system is exposed to pressures in excess of its rating, it should be inspected for damage.

## Stock Numbers

FlowMax 2" Regulator	Stock Number	Weight
150 CL RF Flanged	FM-1	36 lbs. (16 kg)
2" NPT	FM-2	31 lbs. (14 kg)
150 CL FF Flanged	FM-3	36 lbs. (16 kg)

**Mooney**  
a Baker Hughes business

## Dimensions



## Flow Coefficients and Constants

FlowMax 2" Single Port Regulator			
Percent Capacity	C <sub>v</sub>	C <sub>1</sub>	C <sub>g</sub>
100%	64	35	2250
75%	47 <sup>1</sup>	34	1650
50%	34 <sup>1</sup>	32	1200
25%	17 <sup>1</sup>	28	600

1. Estimate.