

Mooney™ FlowMax™ 4" Regulator Flanged CL 150

The Mooney FlowMax 4" Single Port regulator is an economical and easy-to-maintain pilot loading type regulator specifically designed for low differential pressure applications. It is designed to be used in conjunction with a self-contained pilot control system to provide exceptional pressure control.

Specifications

Size	4" (DN 100)
Body Style	Single port
End Connections	4" CL 150 Flanged
Temperature Working	-20°F to 150°F (-29°C to 66°C)
Emergency	-40°F to 175°F (-40°C to 79°C)
Max. Operating Differential	250 psi (17 bar)
Max. Casing Pressure	250 psi (17 bar)
Min. Operating Differential	4 psid (0.21 bar)
Max. Inlet Pressure	250 psig ¹ (17 bar)
Outlet Pressure Range Series 20L	5" w.c. to 8 psi (0.01 bar to 0.55 bar)
Series 20	3 psi to 248 psi (0.21 bar to 17 bar)
Pilot Supply Body Tap	One 1/4" - 18 NPT
Sense Line Tap	One 1/2" - 14 NPT

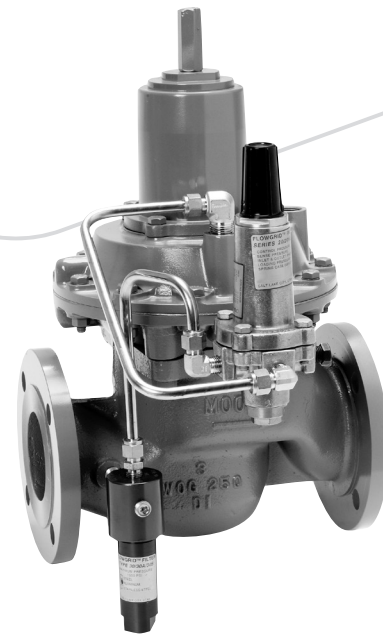
1. Limited by pilot or flange rating

Materials of Construction

Body	ASTM A 395 Ductile Iron
Actuator Housing	A 356-T6 Cast Aluminum
Spring Case	A 356-T6 Cast Aluminum
Plug	Nitrile/18-8 SST
Diaphragm	Nitrile/Nylon
O-Ring & Seals	Nitrile
Bolting	ASTM B8 or equal
Spring	Music wire

Overpressure Protection

The Mooney FlowMax regulator has a full ASME rating of 250 psi (17 bar) on both the inlet and outlet connections as well as the actuator housing assembly. Overpressure protection is required only if the pressure can exceed the flange or body rating.



FlowMax 4" Low Differential Regulator with Series 20 Pilot and Type 30 Filter

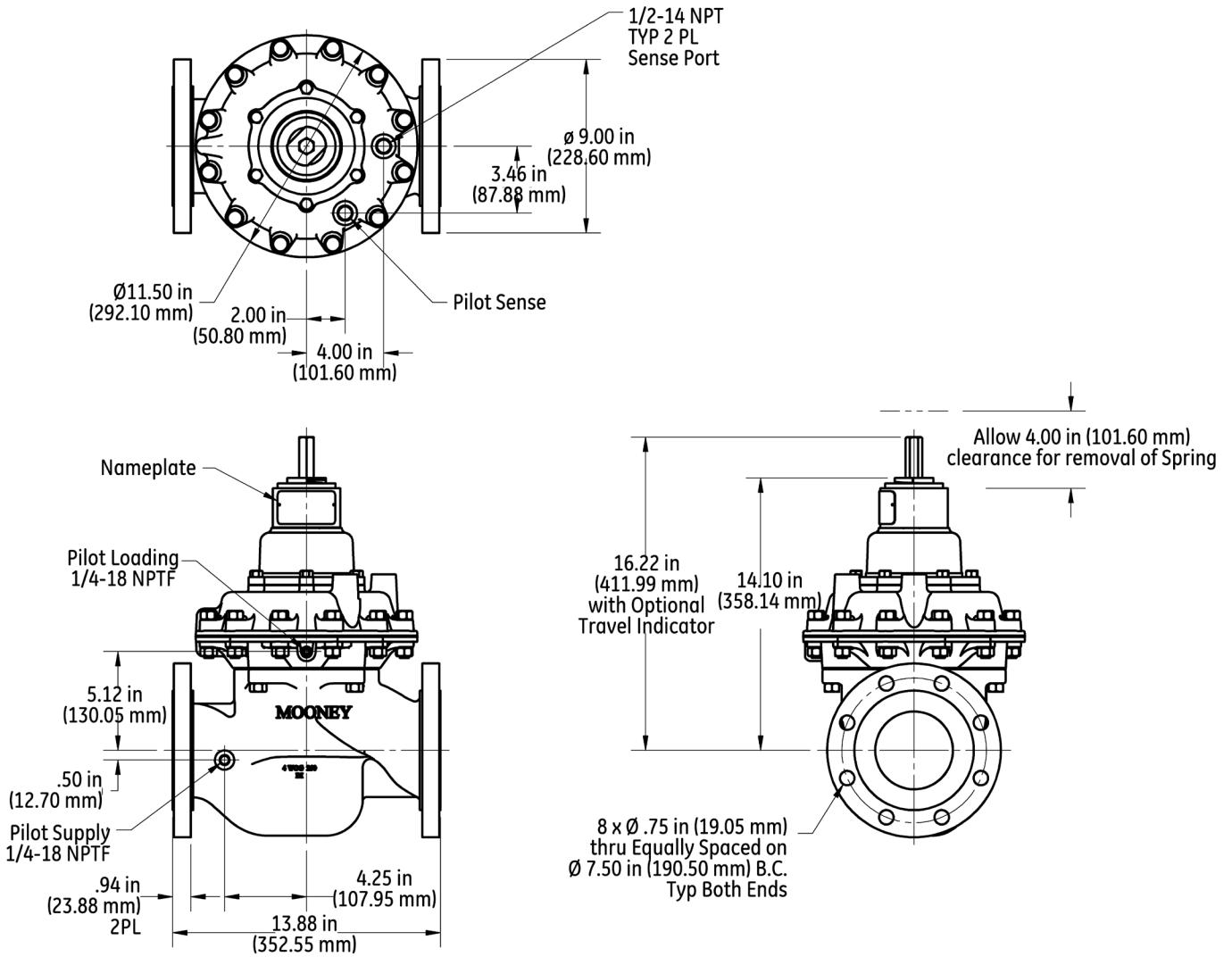
The pilots, like most regulators, may have an outlet pressure rating lower than the inlet pressure rating. If this is the case, then some external form of overpressure protection must be provided for the pilot.

Anytime the FlowMax regulator or pilot system is exposed to pressures in excess of its rating it should be inspected for damage.

Stock Numbers

FlowMax 4" Regulator	Stock Number	Stock Number w/ Indicator	Weight
150 CL RF Flanged	FM-6	FM-6T	103 lbs. (47 kg)
150 CL FF Flanged	FM-7	FM-7T	103 lbs. (47 kg)

Dimensions



Flow Coefficients and Constants

FlowMax 4" Single Port Regulator			
Percent Capacity	C _v	C ₁	C _g
100%	212	35	7500
50%	123	31	3800

Copyright 2020 Baker Hughes Company. All rights reserved. Baker Hughes provides this information on an "as is" basis for general information purposes. Baker Hughes does not make any representation as to the accuracy or completeness of the information and makes no warranties of any kind, specific, implied or oral, to the fullest extent permissible by law, including those of merchantability and fitness for a particular purpose or use. Baker Hughes hereby disclaims any and all liability for any direct, indirect, consequential or special damages, claims for lost profits, or third party claims arising from the use of the information, whether a claim is asserted in contract, tort, or otherwise. Baker Hughes reserves the right to make changes in specifications and features shown herein, or discontinue the product described at any time without notice or obligation. Contact your Baker Hughes representative for the most current information. The Baker Hughes logo, FlowMax and Mooney are trademarks of Baker Hughes Company. Other company names and product names used in this document are the registered trademarks or trademarks of their respective owners.

Baker Hughes 

valves.bakerhughes.com