

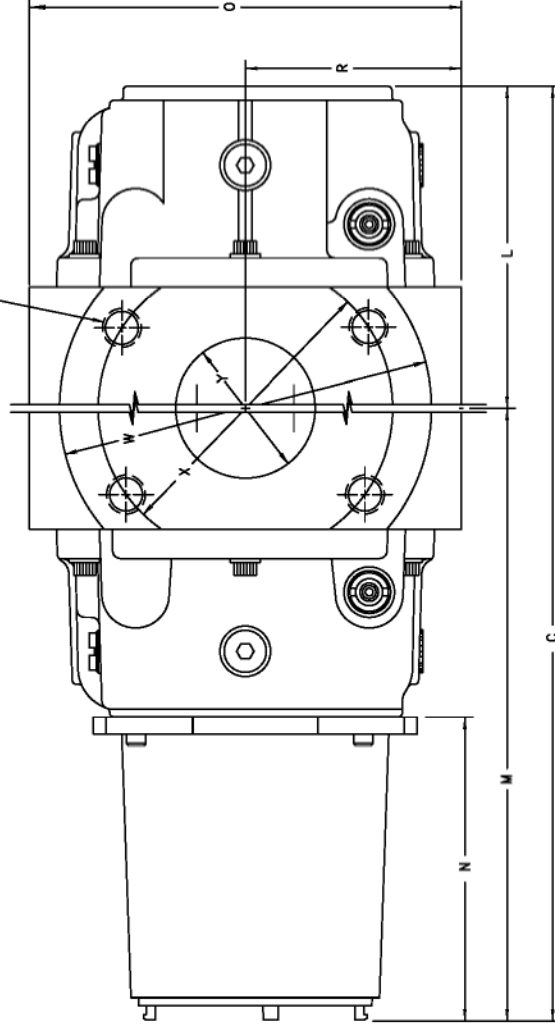
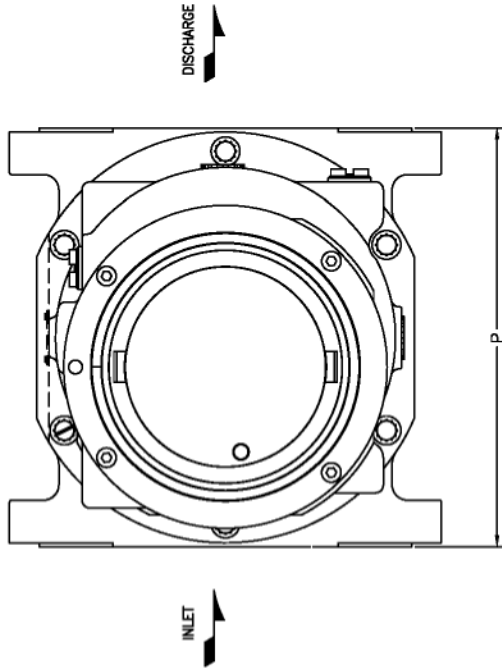
SERIES B3
ROOTS® METER
1M/3M300
WITH CTR*
IMPERIAL OR METRIC

*CTR = DISPLACED VOLUME COUNTER.

MODEL	CAPACITY	UNIT	DIMENSIONS																APPROX. OIL CAPACITY	APPROX. WEIGHT	MAX. WORK PRESSURE								
			C	L	M	N	O	P	R	W	X	Y	Z	SIDE INLET	TOP INLET														
1M	1000 cfh	IN	15	31/32	5	21/32	10	5/16	4	7/8	6	31/32	6	3/4	3	31/64	6	1/8	4	1/2	1	1/2	4	1.25 oz.	7.6 oz.	28.5 lbs.	300 psig.		
	28.3 m³/h	mm	406	144	262	124	177	171	88.5	155.58	144.30	38.10	4	37 ml.	225 ml.	12.9 kg.													
3M	3000 cfh	IN	17	5/32	6	1/4	10	29/32	4	7/8	6	31/32	6	3/4	3	31/64	6	1/2	5	2	2	8	1.25 oz.	7.6 oz.	31.0 lbs.	2065 kPa.			
	85 m³/h	mm	436	159	277	124	177	171	88.5	165	127	50.80	8	37 ml.	225 ml.	13.9 kg.													

ANSI FLANGE TYPES	
1M/300	1 1/2" ANSI 300# FLANGE
3M/300	2" ANSI 300# FLANGE

1M300 = 3/4"-10 UNC-2B X 15/16 FULL THREAD
3M300 = 5/8"-11 UNC-2B X 15/16 FULL THREAD
Z = NO. OF HOLES



09/2000 D054722-000

REV.	DATE	BY	CHKD.	APP'D.	DESCRIPTION	REV. NO.	DATE	BY	CHKD.	APP'D.	DESCRIPTION

DIMENSIONAL ASSEMBLY
SERIES B3 ROOTS® METERS
1M/3M300 CTR

ROOTS METERS & INSTRUMENTS
1000 North 19th Street
P.O. Box 1000
Tulsa, Oklahoma 74101-1000
TEL: (918) 438-4380 FAX: (918) 438-4381

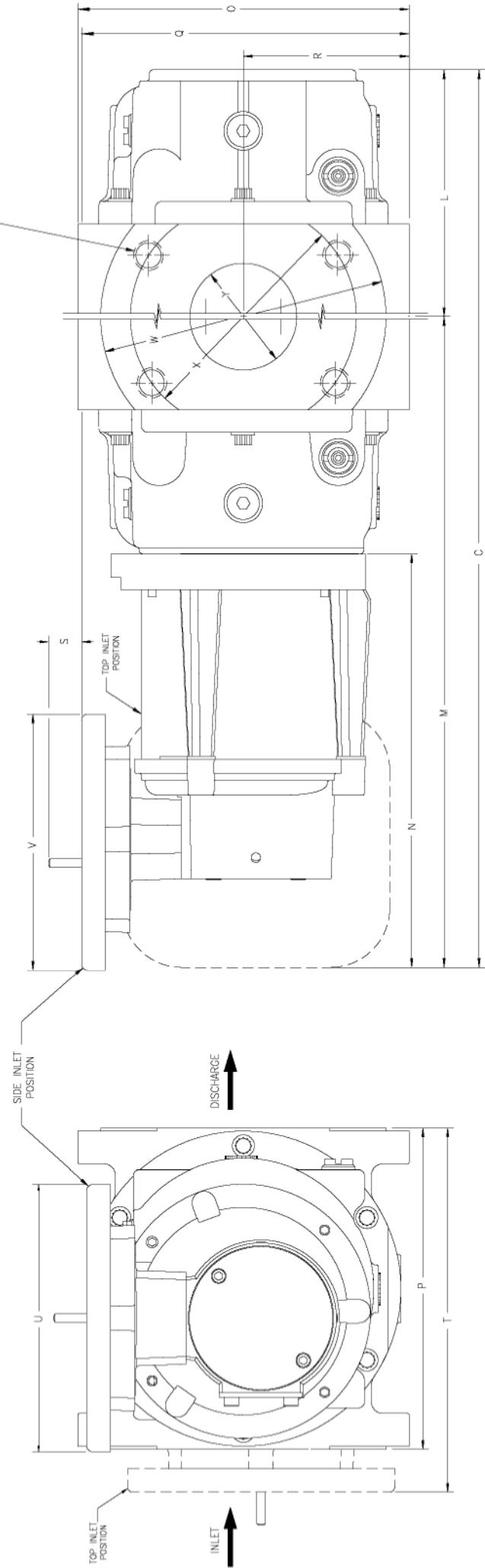
MODEL	CAPACITY	UNIT	DIMENSIONS																APPROX. OIL CAPACITY	APPROX. WEIGHT	MAX. WORK PRESSURE															
			C	L	M	N	O	P	Q	R	S	T	U	V	W	X	Y	Z				SIDE INLET	TOP INLET													
1M	1000 cfh	IN	19	25/32	5	21/32	14	1/8	8	11/16	6	3/4	6	31/32	6	3/4	3	31/64	11/16	7	21/32	5	5/8	5	3/8	6	1/8	4	1/2	1	1/2	4	1.25 oz.	7.6 oz.	28.5 lbs.	300 psig.
	28.3 m ³ /h	mm	503	144	359	221	177	172	175	88.5	17.5	185	143	137	155.88	144.50	38.10	4	37 ml.	225 ml.	12.9 kg.															
3M	3000 cfh	IN	20	31/32	6	1/4	14	23/32	8	11/16	6	3/4	6	31/32	6	3/4	3	31/64	11/16	7	21/32	5	5/8	5	3/8	6	1/2	5	2	2	2	2	1.25 oz.	7.6 oz.	31.0 lbs.	2065 kPa.
	85 m ³ /h	mm	533	159	374	221	177	172	175	88.5	17.5	185	143	137	165	127	50.80	8	37 ml.	225 ml.	13.9 kg.															

*CD = DISPLACED VOLUME COUNTER WITH INSTRUMENT DRIVE.

SERIES B3 ROOTS® METER 1M/3M300 WITH CD* ONLY IMPERIAL OR METRIC

ANSI FLANGE TYPES	
1M300	1 1/2" ANSI 300# FLANGE
3M300	2" ANSI 300# FLANGE

1M300 = 3/4-10 UNC-2B X 15/16 FULL THREAD
3M300 = 5/8-11 UNC-2B X 15/16 FULL THREAD
Z = NO. OF HOLES



02/2007 D054439-000

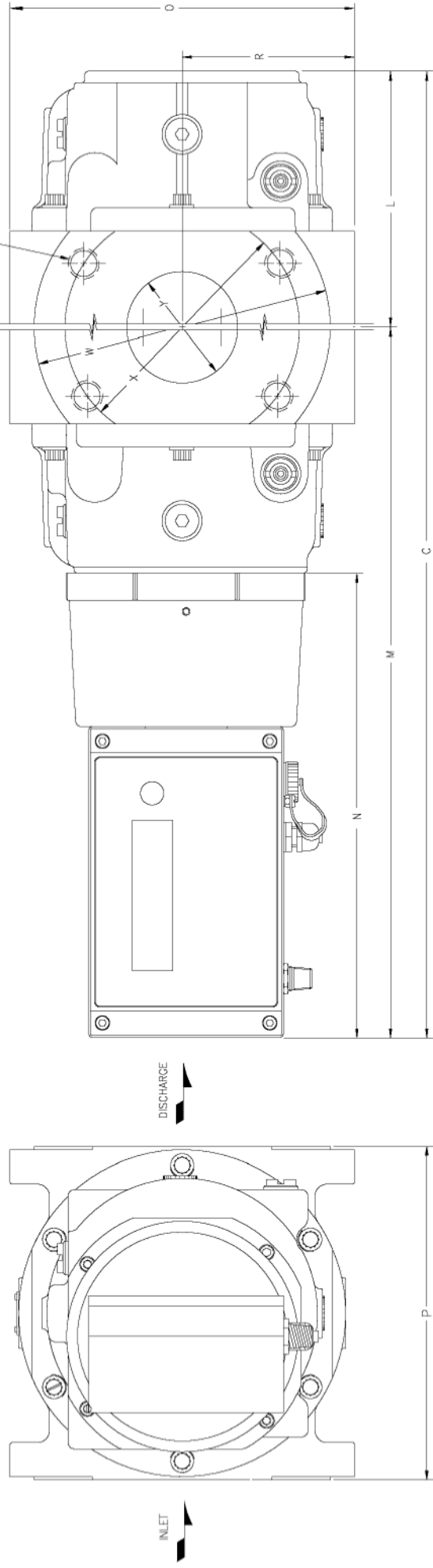
DIMENSIONS		DIMENSIONAL ASSEMBLY		SERIES B3 ROOTS® METERS		1M/3M300 CD ONLY	
UNIT	VALUE	UNIT	VALUE	UNIT	VALUE	UNIT	VALUE
IN	19	IN	19	IN	19	IN	19
MM	503	MM	503	MM	503	MM	503
IN	20	IN	20	IN	20	IN	20
MM	533	MM	533	MM	533	MM	533
IN	14	IN	14	IN	14	IN	14
MM	374	MM	374	MM	374	MM	374
IN	8	IN	8	IN	8	IN	8
MM	221	MM	221	MM	221	MM	221
IN	6	IN	6	IN	6	IN	6
MM	177	MM	177	MM	177	MM	177
IN	6	IN	6	IN	6	IN	6
MM	172	MM	172	MM	172	MM	172
IN	3	IN	3	IN	3	IN	3
MM	88.5	MM	88.5	MM	88.5	MM	88.5
IN	7	IN	7	IN	7	IN	7
MM	185	MM	185	MM	185	MM	185
IN	5	IN	5	IN	5	IN	5
MM	143	MM	143	MM	143	MM	143
IN	5	IN	5	IN	5	IN	5
MM	137	MM	137	MM	137	MM	137
IN	6	IN	6	IN	6	IN	6
MM	155.88	MM	155.88	MM	155.88	MM	155.88
IN	4	IN	4	IN	4	IN	4
MM	101.6	MM	101.6	MM	101.6	MM	101.6
IN	1/2	IN	1/2	IN	1/2	IN	1/2
MM	12.7	MM	12.7	MM	12.7	MM	12.7
IN	4	IN	4	IN	4	IN	4
MM	101.6	MM	101.6	MM	101.6	MM	101.6
IN	1	IN	1	IN	1	IN	1
MM	25.4	MM	25.4	MM	25.4	MM	25.4
IN	1.25	IN	1.25	IN	1.25	IN	1.25
MM	31.75	MM	31.75	MM	31.75	MM	31.75
IN	7.6	IN	7.6	IN	7.6	IN	7.6
MM	192.7	MM	192.7	MM	192.7	MM	192.7
IN	28.5	IN	28.5	IN	28.5	IN	28.5
MM	726.3	MM	726.3	MM	726.3	MM	726.3
IN	300	IN	300	IN	300	IN	300
MM	7620	MM	7620	MM	7620	MM	7620

SERIES B3 ROOTS® METER 1M/3M300 WITH IMCW IMPERIAL OR METRIC

MODEL	CAPACITY		DIMENSIONS																APPROX. OIL CAPACITY		APPROX. WEIGHT		MAX. WORK PRESSURE									
	UNIT		C	L	M	N	O	P	R	W	X	Y	Z	SIDE INLET	TOP INLET																	
1M	1000	cfh	19	19/32	5	21/32	13	15/16	8	1/2	6	31/32	6	3/4	3	31/64	6	1/8	4	1/2	1	1/2	4	1.25	oz.	7.6	oz.	28.5	lbs.	300	psig.	
	28.3	m ³ /h	mm	498	144	354	216	177	171	88.5	155.58	144.50	38.10	4	37	ml.	225	ml.	12.9	kg.												
3M	3000	cfh	20	25/32	6	1/4	14	17/32	8	1/2	6	31/32	6	3/4	3	31/64	6	1/2	5	2	8	1.25	oz.	7.6	oz.	31.0	lbs.	2065	kPa.			
	85	m ³ /h	mm	528	159	369	216	177	171	88.5	165	127	50.80	8	37	ml.	225	ml.	13.9	kg.												

ANSI FLANGE TYPES	
1M300	1 1/2" ANSI 300# FLANGE
3M300	2" ANSI 300# FLANGE

1M300 = 3/4-10 UNC-2B X 15/16 FULL THREAD
 3M300 = 5/8-11 UNC-2B X 15/16 FULL THREAD
 Z = NO. OF HOLES



02/2007 D059147-000

DIMENSIONAL ASSEMBLY SERIES B3 ROOTS® METERS 1M/3M300 W/IMCW		DIMENSIONAL ASSEMBLY SERIES B3 ROOTS® METERS 1M/3M300 W/IMCW	
DRESSER ROOTS METERS & INSTRUMENTS Natural Gas Solutions Houston, Texas 77060		DRESSER ROOTS METERS & INSTRUMENTS Natural Gas Solutions Houston, Texas 77060	
DATE: _____ DRAWN BY: _____ CHECKED BY: _____ APPROVED BY: _____		DATE: _____ DRAWN BY: _____ CHECKED BY: _____ APPROVED BY: _____	
PART NUMBER: _____ REV: _____ TITLE: _____		PART NUMBER: _____ REV: _____ TITLE: _____	
MATERIAL: _____ FINISH: _____		MATERIAL: _____ FINISH: _____	
QUANTITY: _____ UNIT: _____		QUANTITY: _____ UNIT: _____	
ORDER NUMBER: _____ PROJECT: _____		ORDER NUMBER: _____ PROJECT: _____	
DRAWING NUMBER: _____ REVISION NUMBER: _____		DRAWING NUMBER: _____ REVISION NUMBER: _____	
D059147-000		D059147-000	

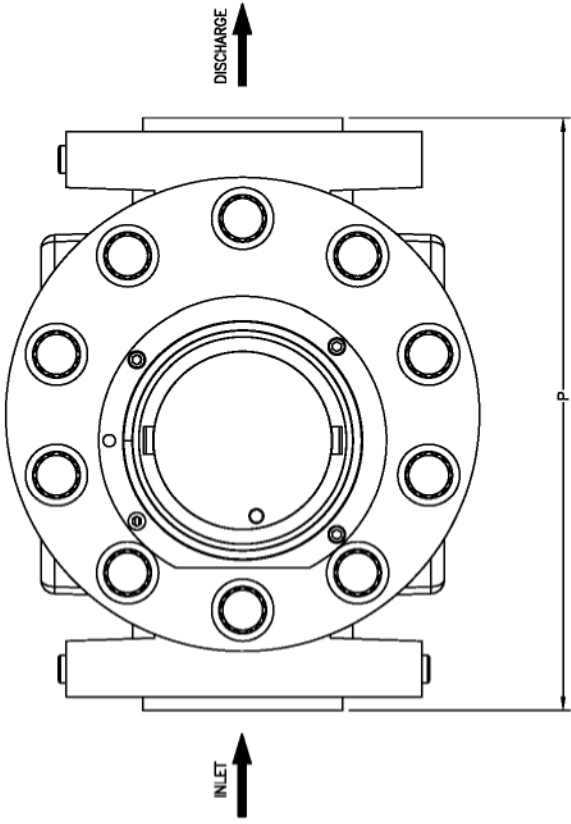
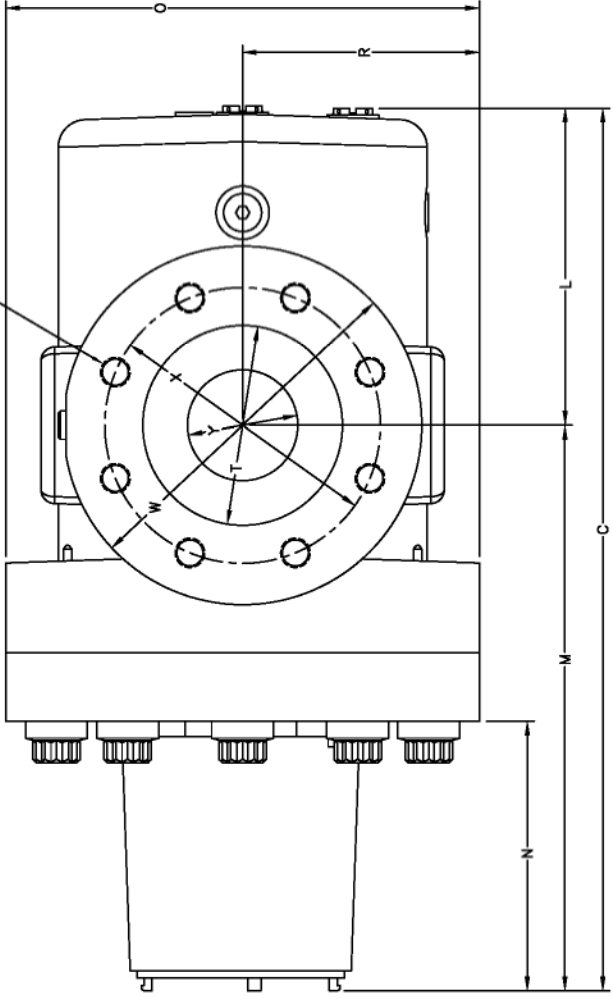
MODEL	CAPACITY	DIMENSIONS																APPROX. OIL CAPACITY		APPROX WEIGHT	MAX. WORK PRESSURE
		UNIT	C	L	M	N	O	P	R	T	W	X	Y	Z	SIDE INLET	TOP INLET					
1M	1000 cfm	IN	16 1/32	5 25/32	10 1/4	4 7/8	8 5/8	10 3/4	4 5/16	3 5/8	6 1/2	5	2	8	4-2 oz.	11 oz.	111 lbs.	740/1480 psig.			
	28.3 m³/h	mm	407	146	260	124	218	273	109	92	165	127	51	8	124 ml.	325 ml.	50 kg.				
3M	3000 cfm	IN	16 1/32	5 25/32	10 1/4	4 7/8	8 5/8	10 3/4	4 5/16	3 5/8	6 1/2	5	2	8	2.8 oz.	7.2 oz.	111 lbs.	5,102/10,204 kPa			
	85 m³/h	mm	407	146	260	124	218	273	109	92	165	127	51	83 ml.	213 ml.	50 kg.					

B3-HPC
ROOTS® METER
1M/3M 740/1480
WITH CTR*
IMPERIAL OR METRIC

*CTR= DISPLACED VOLUME COUNTER

ANSI FLANGE TYPES	
1M/3M 740	2" ANSI 300# FLANGE
1M/3M 1480	2" ANSI 600# FLANGE

5/8-11 UNC-2B X 1 1/8 FULL THREAD
 Z = NO. OF HOLES



09/2000 D054757-000

REVISION		DATE		BY		CHK		APP		TITLE	

DIMENSIONAL ASSEMBLY											
B3-HPC ROOTS® METERS											
1M/3M 740/1480 W/CTR											
NO.	REV.	DATE	BY	CHK	APP.	TITLE	NO.	REV.	DATE	BY	CHK

ROOTS METERS & INSTRUMENTS
 1000 N. WILSON AVENUE, WILSON, NJ 07094
 908-683-5500

D054757-000

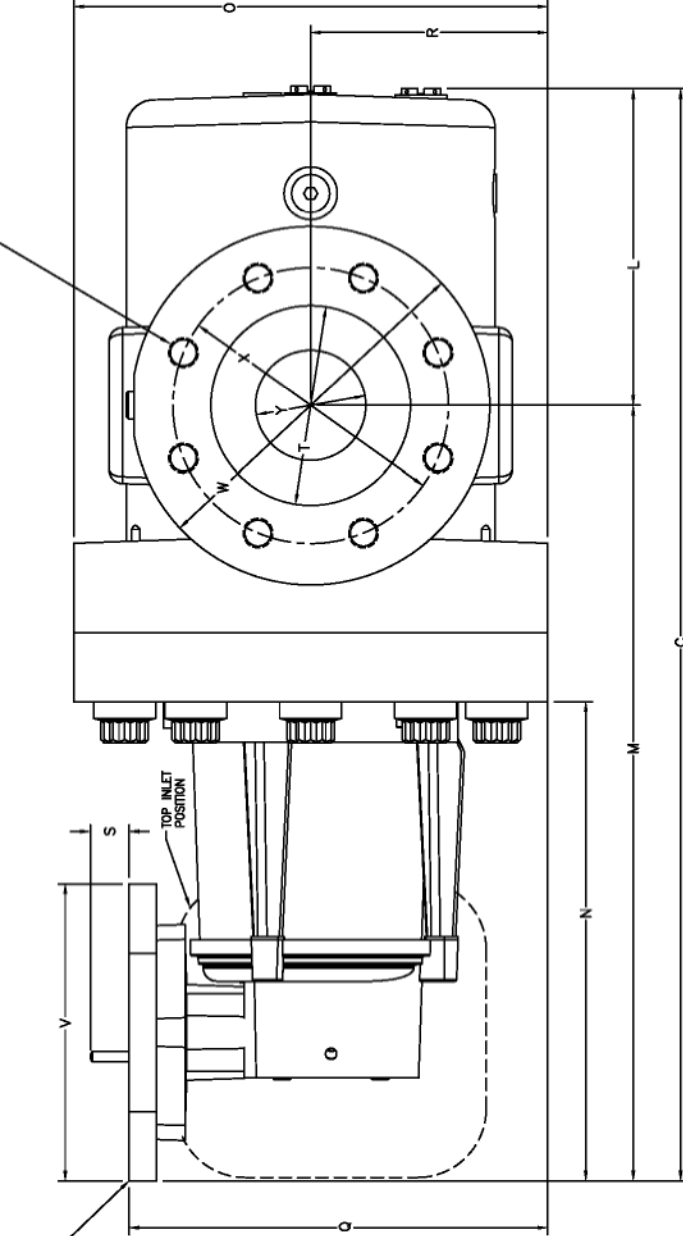
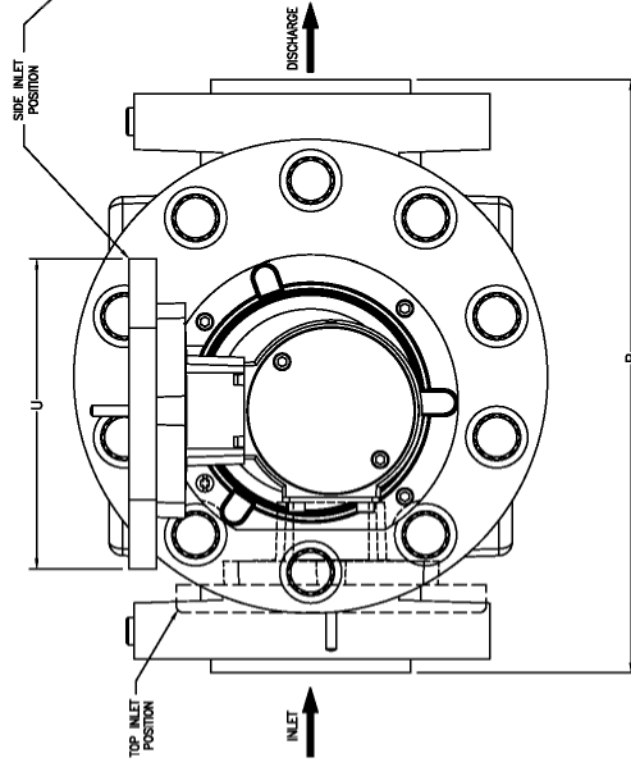
MODEL	CAPACITY		DIMENSIONS																APPROX. OIL CAPACITY		APPROX. WEIGHT	MAX. WORK PRESSURE
	UNIT		C	L	M	N	O	P	Q	R	S	T	U	V	W	X	Y	Z	SIDE INLET	TOP INLET		
1M	1000 cfm	IN	19 27/32	5 25/32	14 1/16	8 5/8	10 3/4	7 19/32	4 5/16	11/16	3 5/8	5 5/8	5 3/8	6 1/2	5	2	8	8	4.2 oz.	1.1 oz.	112 lbs.	740/1480 psig.
			mm	504	146	358	221	218	273	183	109	175	92	143	165	127	51	8	8	124 ml.	325 ml.	51 kg.
3M	3000 cfm	IN	19 27/32	5 25/32	14 1/16	8 5/8	10 3/4	7 19/32	4 5/16	11/16	3 5/8	5 5/8	5 3/8	6 1/2	5	2	8	8	2.8 oz.	7.2 oz.	112 lbs.	5,102/10,204 psig.
			mm	504	146	358	221	218	273	183	109	175	92	143	165	127	51	8	8	83 ml.	213 ml.	51 kg.

B3-HPC
 ROOTS® METER
 1M/3M740/1480
 WITH CD*
 IMPERIAL OR METRIC

*CD = DISPLACED VOLUME COUNTER WITH INSTRUMENT DRIVE

ANSI FLANGE TYPES	
1M/3M 740	2" ANSI 300# FLANGE
1M/3M 1480	2" ANSI 600# FLANGE

5/8-11 UNC-2B X 1 1/8 FULL THREAD
 Z = NO. OF HOLES



09/2000 D054434-000

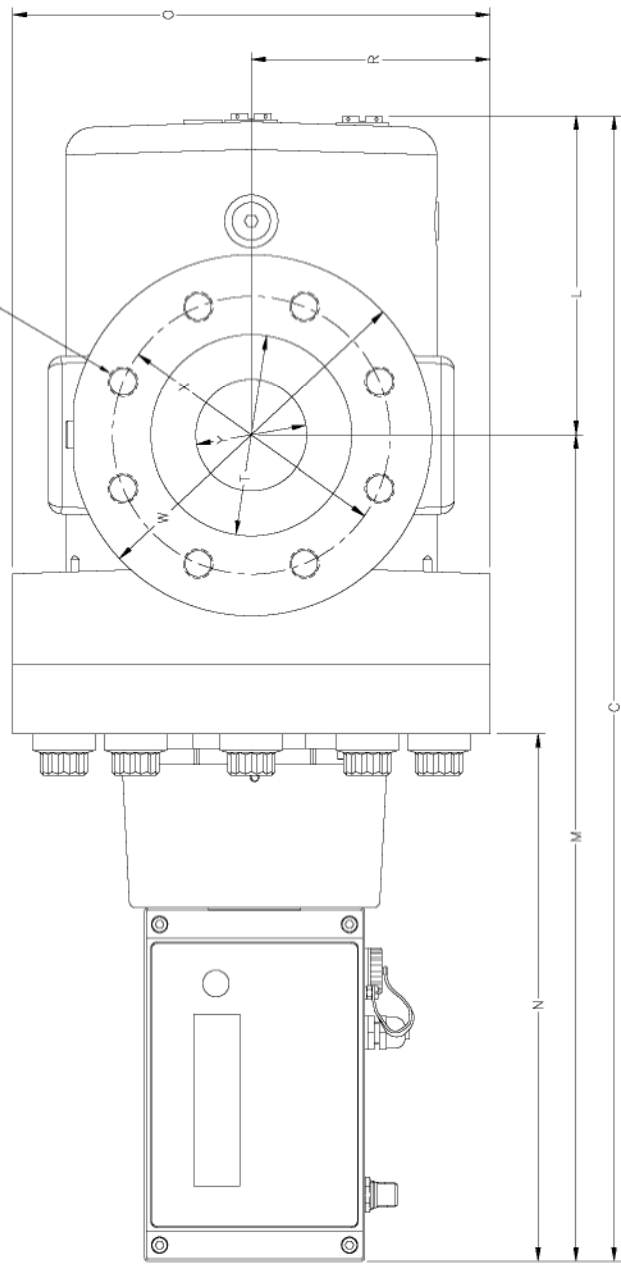
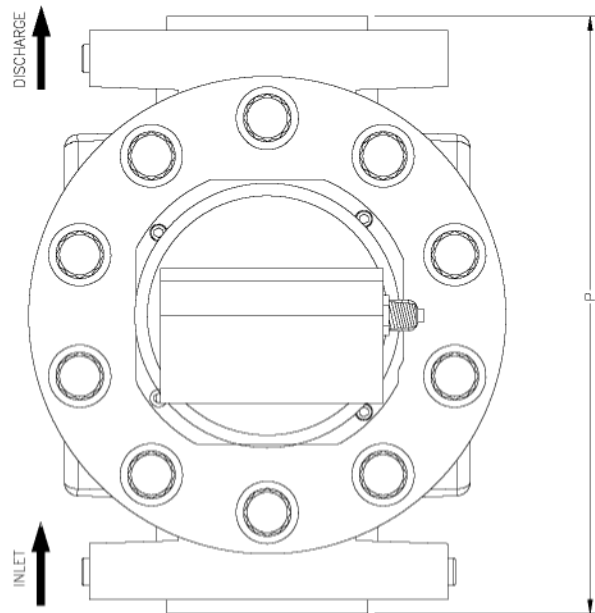
REV. NO.		DATE		BY		CHKD.		APP'D.		DIMENSIONAL ASSEMBLY		REV.		DATE		BY		CHKD.		APP'D.	
										B3-HPC ROOTS® METERS											
										1M/3M740/1480											
										ROOTS METERS & INSTRUMENTS											
										1000 SOUTH AVENUE											
										LITTLE ROCK, AR 72114											
										TEL: 501-765-3333											
										FAX: 501-765-3333											
										E-MAIL: SALES@ROOTS.COM											
										WWW.ROOTS.COM											
										© 2000 ROOTS METERS & INSTRUMENTS											
										ALL RIGHTS RESERVED											
										D054434-000											

MODEL	CAPACITY		DIMENSIONS																APPROX. OIL CAPACITY		APPROX. WEIGHT	MAX. WORK PRESSURE
	UNIT		C	L	M	N	O	P	R	T	W	X	Y	Z	SIDE INLET	TOP INLET						
1M	1000 cfh	IN	19 21/32	5 25/32	13 7/8	8 1/2	8 5/8	10 3/4	4 5/16	3 5/8	6 1/2	5	2	8	4.2 oz.	11 oz.	111 lbs.	740/1480 psig.				
	28.3 m ³ /h	mm	499	146	352	216	218	273	109	92	165	127	51	8	124 ml.	325 ml.	50 kg.					
3M	3000 cfh	IN	19 21/32	5 25/32	13 7/8	8 1/2	8 5/8	10 3/4	4 5/16	3 5/8	6 1/2	5	2	8	2.8 oz.	7.2 oz.	111 lbs.	5,102/10,204 kPa				
	85 m ³ /h	mm	499	146	352	216	218	273	109	92	165	127	51	8	83 ml.	213 ml.	50 kg.					

SERIES B3-HPC
 ROOTS® METER
 1M/3M740/1480
 WITH IMCW
 IMPERIAL OR METRIC

ANSI FLANGE TYPES	
1M/3M 740	2" ANSI 300# FLANGE
1M/3M 1480	2" ANSI 600# FLANGE

5/8-11 UNC-2B X 1 1/8 FULL THREAD
 Z = NO. OF HOLES



10/06 D059145-000

DATE	10/06	BY	10/06	REV	00
FOR CHECK		FOR CHECK		FOR CHECK	
FOR ORDER		FOR ORDER		FOR ORDER	
FOR APPROVAL		FOR APPROVAL		FOR APPROVAL	
FOR PURCHASE		FOR PURCHASE		FOR PURCHASE	
DRESSER ROOTS METERS & INSTRUMENTS Natural Gas Solutions Houston, Texas, USA					
THE INFORMATION CONTAINED HEREIN IS THE PROPERTY OF DRESSER INDUSTRIES, INC. AND IS UNCLASSIFIED. IT IS TO BE CONTAINED IN THE "UNCLASSIFIED" CATEGORY OF INFORMATION. IT IS TO BE RELEASED TO THE PUBLIC UPON REQUEST.					
DIMENSIONAL ASSEMBLY SERIES B-HPC ROOTS® METERS 1M/3M740/1480 W/IMCW					
DRESSER INDUSTRIES, INC. 10000 WEST 14TH AVENUE HOUSTON, TEXAS 77033-3333 PHONE: 281-280-1000 FAX: 281-280-1001 WWW.DRESSER-ROOTS.COM					
D059145-000					

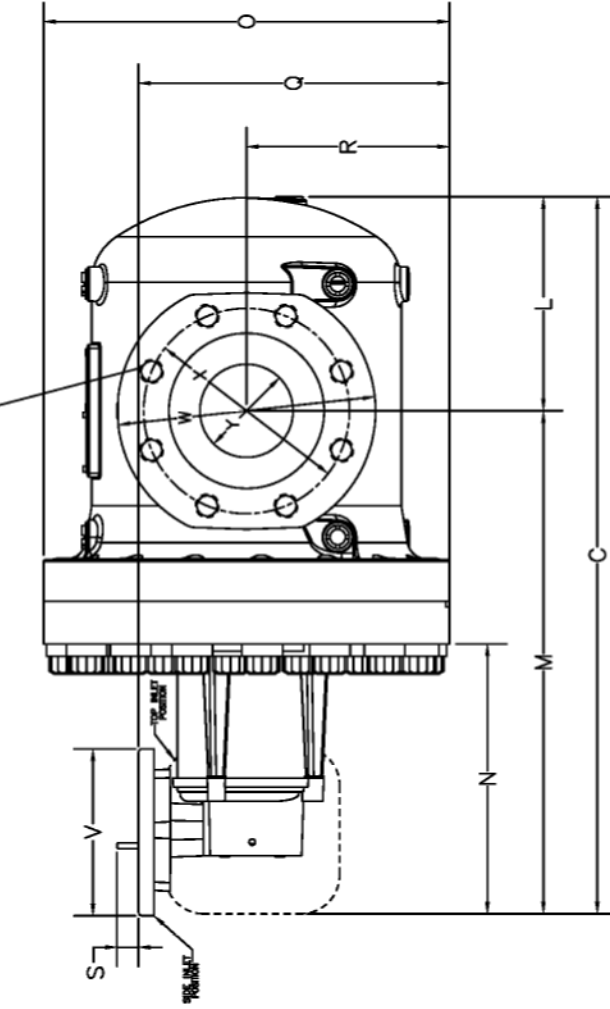
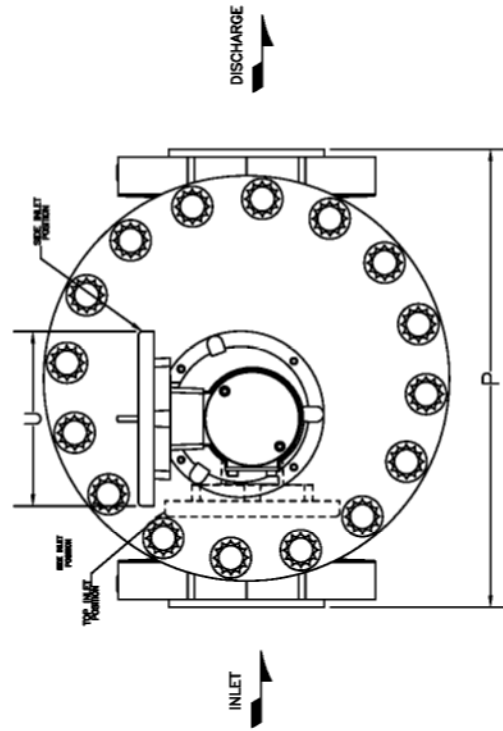
MODEL	CAPACITY	UNIT	DIMENSIONS													APPROX. OIL CAPACITY		APPROX. WEIGHT	MAX. WORK PRESSURE		
			C	L	M	N	O	P	Q	R	S	U	V	W	X	Y	Z			SIDE INLET	TOP INLET
5M	5000 cfh	IN	23 3/32	6 29/32	16 13/16	8 11/16	13 1/16	14 3/4	10	6 17/32	11 1/16	5 5/8	5 3/8	8 5/16	6 5/8	3	8	17.5 oz.	41 oz.	215 lbs.	1480 psig.
	141.6 m ³ /h	mm	587	175	412	221	332	375	245.3	166	17.5	14.3	137	211	168	76	518 ml.	1213 ml.	97.5 kg.	10204 kPa.	
7M	7000 cfh	IN	23 3/32	6 29/32	16 13/16	8 11/16	13 1/16	14 3/4	10	6 17/32	11 1/16	5 5/8	5 3/8	8 5/16	6 5/8	3	8	13.5 oz.	37 oz.	220 lbs.	
	198.2 m ³ /h	mm	587	175	412	221	332	375	245.3	166	17.5	14.3	137	211	168	76	389 ml.	1094 ml.	100 kg.		

SERIES B3-HPC
 ROOTS® METER
 5M/7M 1480
 WITH CD*
 IMPERIAL OR METRIC

*CD = DISPLACED VOLUME COUNTER WITH INSTRUMENT DRIVE.

5M/7M 1480 = 3/4-10 UNC-2B X 1 1/4" FULL THREAD

Z = NO. OF HOLES



09/2000 D056136-000

REV	DATE	BY	CHKD	APP'D	DESCRIPTION
1	09/2000				ROOTS METERS & INSTRUMENTS

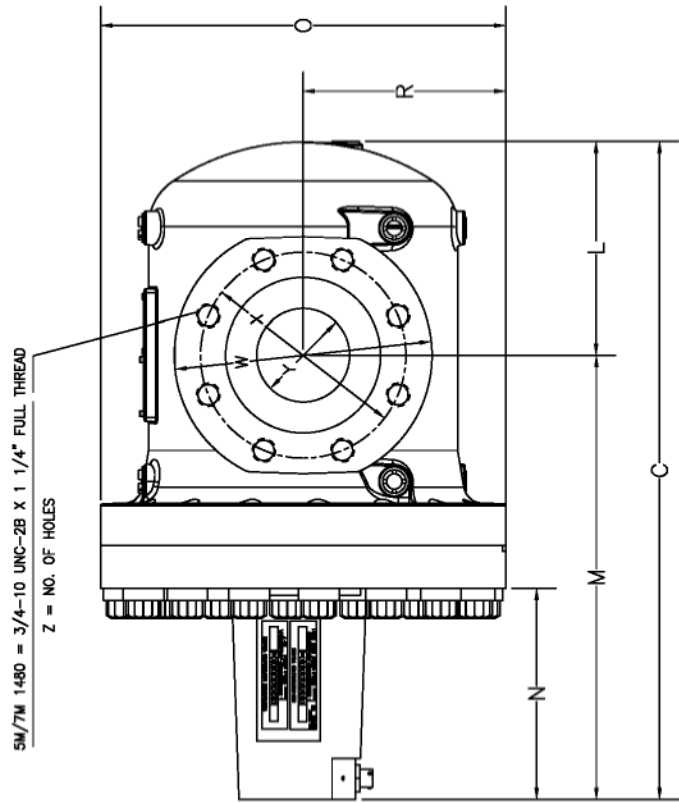
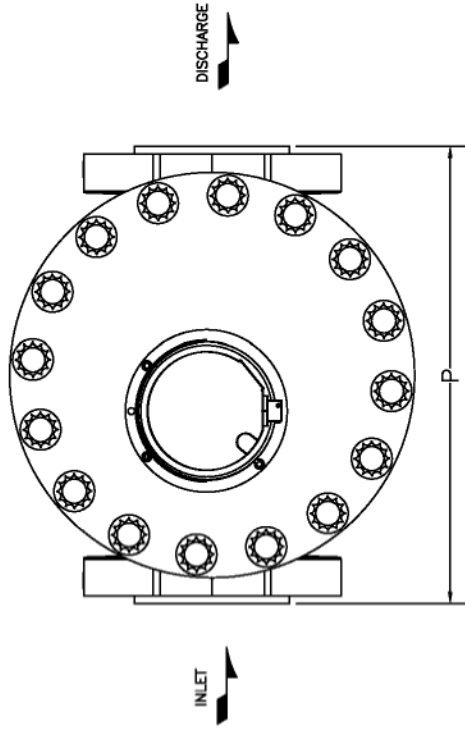
MODEL	5M/7M	DATE	09/2000	BY		CHKD		APP'D		DESCRIPTION	D056136-000
REV	1	DATE	09/2000	BY		CHKD		APP'D		DESCRIPTION	D056136-000

REV	DATE	BY	CHKD	APP'D	DESCRIPTION
1	09/2000				ROOTS METERS & INSTRUMENTS

SERIES B3-HPC
 ROOTS® METER
 5M/7M 1480
 WITH ICPWX*
 AND ICEX** UNIT
 IMPERIAL OR METRIC

*ICPWS, ICPWD, ICPWX=DISPLACED VOLUME COUNTER PULSER.
 **ICEX=UNCOMPENSATED COUNTER ELECTRONIC TRANSMITTER

MODEL	CAPACITY		DIMENSIONS												APPROX. OIL CAPACITY		APPROX WEIGHT	MAX. WORK PRESSURE											
	UNIT		C	L	M	N	O	P	R	W	X	Y	Z	SIDE INLET	TOP INLET														
5M	5000	cfh	21	7/32	6	29/32	14	5/16	6	13/16	13	1/16	14	3/4	6	17/32	8	5/16	6	5/8	3	8	17.5	oz.	41	oz.	215	lbs.	1480 psig. 10204 kPa.
	141.6	m ³ /h	539	mm	175	364	173	332	375	166	211	168	76	8	5.18	ml.	1213	ml.	37	oz.	220	lbs.	100	kg.					
7M	7000	cfh	21	7/32	6	29/32	14	5/16	6	13/16	13	1/16	14	3/4	6	17/32	8	5/16	6	5/8	3	8	13.5	oz.	389	ml.	1094	ml.	100 kg.
	198.2	m ³ /h	539	mm	175	364	173	332	375	166	211	168	76	8	3.89	ml.	1094	ml.	100	kg.									



04/2003 D057442-000

ROOTS METERS & INSTRUMENTS

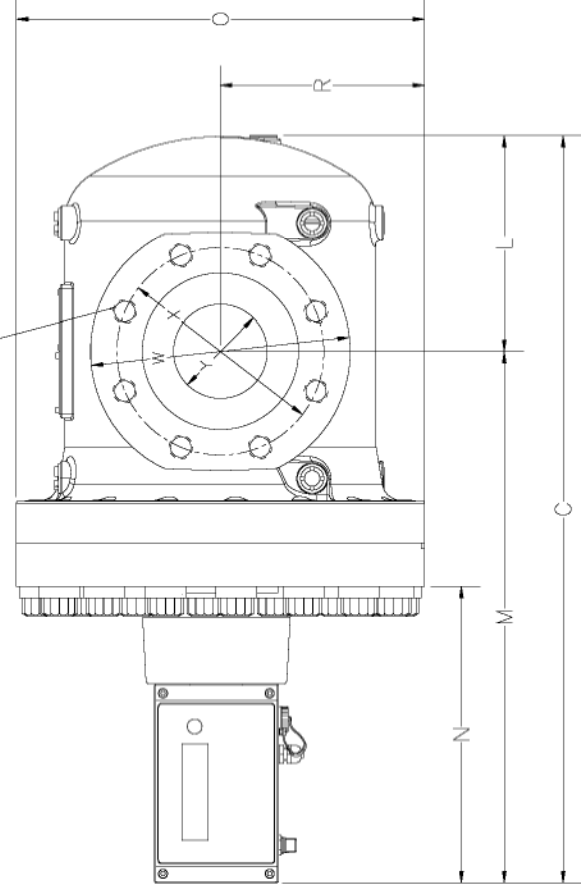
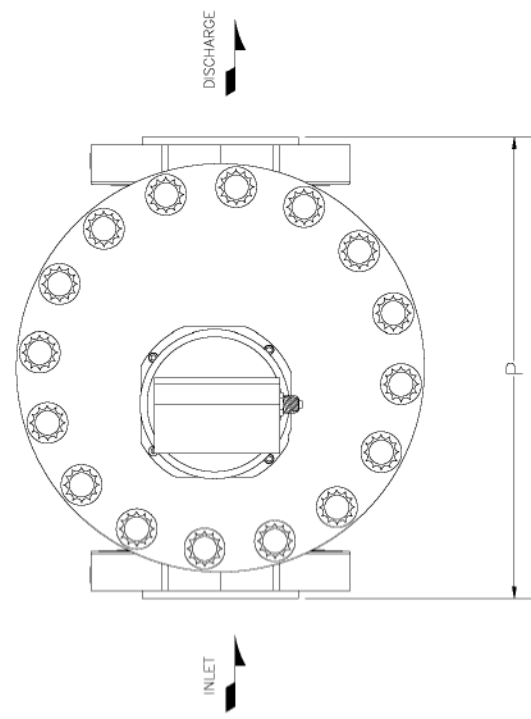
DIMENSIONAL ASSEMBLY
 ROOTS METERS SERIES B3-HPC
 5M/7M 1480 W/ICPWX/ICEX.

D057442-000

SERIES B3-HPC
 ROOTS® METER
 5M/7M 1480
 WITH IMCW
 IMPERIAL OR METRIC

MODEL	CAPACITY	UNIT	DIMENSIONS													APPROX. OIL CAPACITY		APPROX. WEIGHT	MAX. WORK PRESSURE							
			C	L	M	N	O	P	R	W	X	Y	Z	SIDE INLET	TOP INLET											
5M	5000 cfh	IN	22	29/32	6	29/32	16	1/32	8	1/2	13	1/16	14	3/4	6	17/32	8	5/16	6	5/8	3	8	17.5 oz.	41 oz.	215 lbs.	1480 psig. 10204 kPa.
	141.6 m ³ /h	mm	582	175	407	216	332	375	166	211	332	175	166	211	168	211	168	168	168	75	8	518 ml.	1213 ml.	97.5 kg.		
7M	7000 cfh	IN	22	29/32	6	29/32	16	1/32	8	1/2	13	1/16	14	3/4	6	17/32	8	5/16	6	5/8	3	8	13.5 oz.	37 oz.	220 lbs.	10204 kPa.
	198.2 m ³ /h	mm	582	175	407	216	332	375	166	211	332	175	166	211	168	211	168	168	168	75	8	399 ml.	1094 ml.	100 kg.		

5M/7M 1480 = 3/4-10 UNC-2B X 1 1/4" FULL THREAD
 Z = NO. OF HOLES



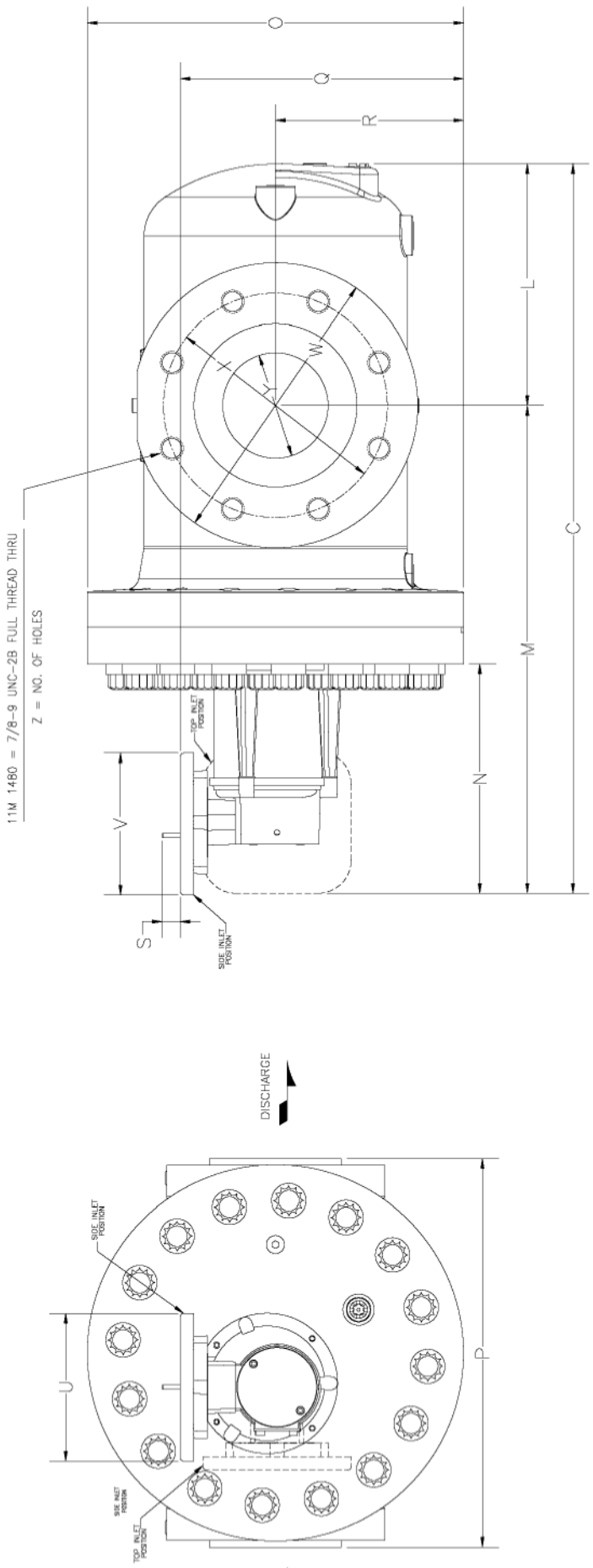
10/06 D059146-000

DIVISION: _____ DESIGNED BY: _____ CHECKED BY: _____ DATE: _____ DRAWING NO.: _____ REV: _____	DRESSER ROOTS METERS & INSTRUMENTS Natural Gas Solutions HOUSTON, TEXAS 77060	TITLE: DIMENSIONAL ASSEMBLY ROOTS METERS SERIES B3-HPC 5M/7M 1480 W/IMCW DRAWN BY: _____ CHECKED BY: _____ DATE: _____ SCALE: _____ SHEET NO.: 112 OF 112	D059146-000
---	---	--	-------------

MODEL	CAPACITY	UNIT	DIMENSIONS																APPROX. OIL CAPACITY	APPROX. WEIGHT	MAX. WORK PRESSURE
			C	L	M	N	O	P	Q	R	S	U	V	W	X	Y	Z	TOP INLET			
11M	11000	IN	27 11/16	9 3/16	18 1/2	8 11/16	14 9/32	14 3/4	10 3/4	7 1/8	11/16	5 5/8	5 3/8	10 13/16	8 1/2	4	8	12 oz.	35 oz.	278 lbs.	1480 psig.

SERIES B3-HPC ROOTS® METER 11M 1480 WITH CD*

*CD = DISPLACED VOLUME COUNTER WITH INSTRUMENT DRIVE.



- PERPENDICULARITY
- ROUNDNESS
- CONCENTRICITY
- POSITION
- MAX. MATERIAL
- MIN. MATERIAL
- FRESH IN MEAS. INGRESS/EGRESS
- RESIDUAL MATERIAL LOCATING
- SURFACE

05/2007 D059329-000

REV.	DATE	BY	CHKD.	APP'D.	DESCRIPTION
1	05/2007				REVISED TO ADD CD OPTION
2	05/2007				REVISED TO ADD CD OPTION
3	05/2007				REVISED TO ADD CD OPTION
4	05/2007				REVISED TO ADD CD OPTION
5	05/2007				REVISED TO ADD CD OPTION
6	05/2007				REVISED TO ADD CD OPTION
7	05/2007				REVISED TO ADD CD OPTION
8	05/2007				REVISED TO ADD CD OPTION
9	05/2007				REVISED TO ADD CD OPTION
10	05/2007				REVISED TO ADD CD OPTION
11	05/2007				REVISED TO ADD CD OPTION
12	05/2007				REVISED TO ADD CD OPTION

11M 1480 W/CD
ROOTS® METER SERIES B3-HPC
DRESSER

11M 1480 W/CD
ROOTS® METER SERIES B3-HPC
DRESSER

11M 1480 W/CD
ROOTS® METER SERIES B3-HPC
DRESSER

11M 1480 W/CD
ROOTS® METER SERIES B3-HPC
DRESSER

11M 1480 W/CD
ROOTS® METER SERIES B3-HPC
DRESSER

11M 1480 W/CD
ROOTS® METER SERIES B3-HPC
DRESSER

11M 1480 W/CD
ROOTS® METER SERIES B3-HPC
DRESSER

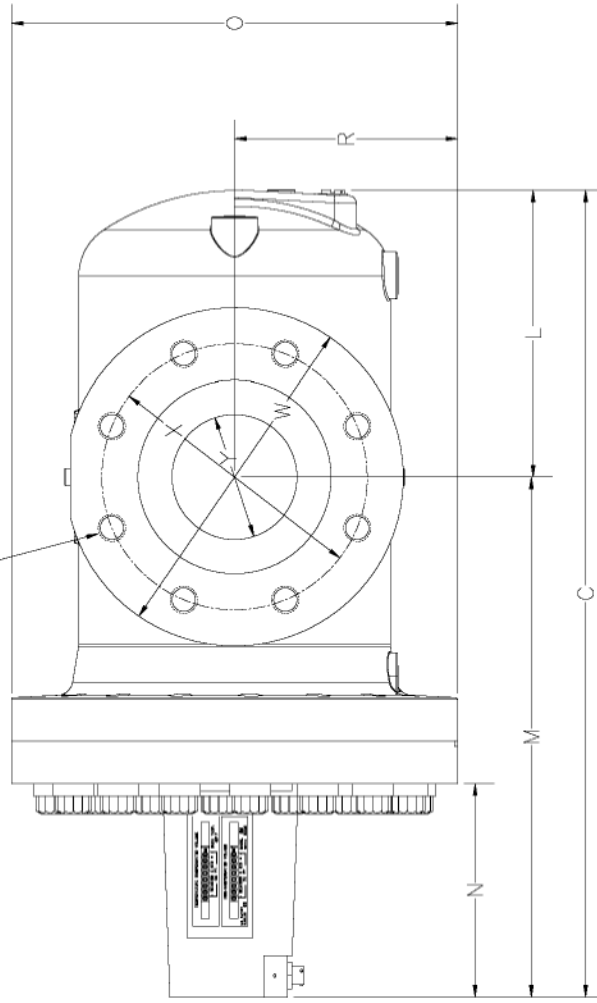
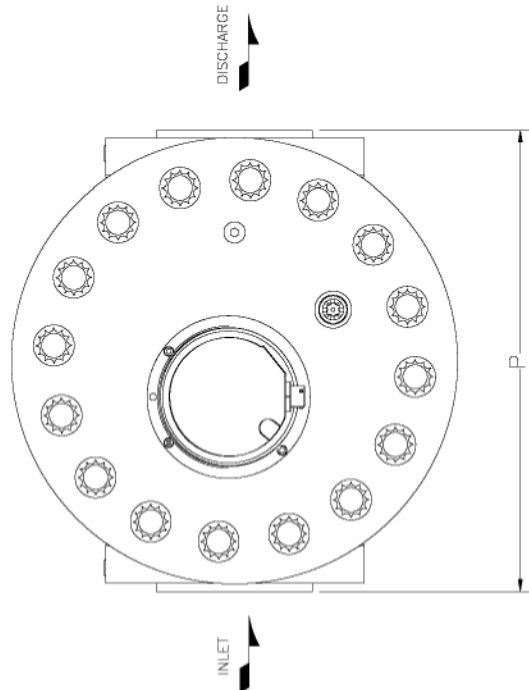
11M 1480 W/CD
ROOTS® METER SERIES B3-HPC
DRESSER

MODEL	CAPACITY	UNIT	C	L	M	N	O	P	R	W	X	Y	Z	APPROX. OIL CAPACITY	APPROX. WEIGHT	MAX. WORK PRESSURE
11M	11000	IN.	25.13/16	9.3/16	16.5/8	6.13/16	14.9/32	14.3/4	7.1/8	10.13/16	8.1/2	4	8	12 oz.	278 lbs.	1480 psig.

SERIES B3-HPC
 ROOTS® METER
 11M 1480
 WITH ICPWX*
 AND ICEX** UNIT
 IMPERIAL ONLY

*ICPWS, ICPWD, ICPWX=DISPLACED VOLUME COUNTER PULSER.
 **ICEX=UNCOMPENSATED COUNTER ELECTRONIC TRANSMITTER

11M 1480 = 7/8-9 UNC-2B FULL THREAD THRU
 Z = NO. OF HOLES



- ROUNDNESS
- CONCENTRICITY
- MAX. MATERIAL
- MIN. MATERIAL
- FRESH IN 1480 INGESTION CAPACITY
- REWORKED MATERIAL
- SURFACE

11/2007 D059535-000

THE DIVISIONAL ASSEMBLY
 ROOTS® METERS SERIES B3-HPC
 11M 1480 W/ICPWX/CEX

REVISIONS
 112 11/06/07

APPROVED FOR RELEASE
 DATE: 11/06/07

REVISIONS
 112 11/06/07

REVISIONS
 112 11/06/07

REVISIONS
 112 11/06/07

REVISIONS
 112 11/06/07

REVISIONS
 112 11/06/07

REVISIONS
 112 11/06/07



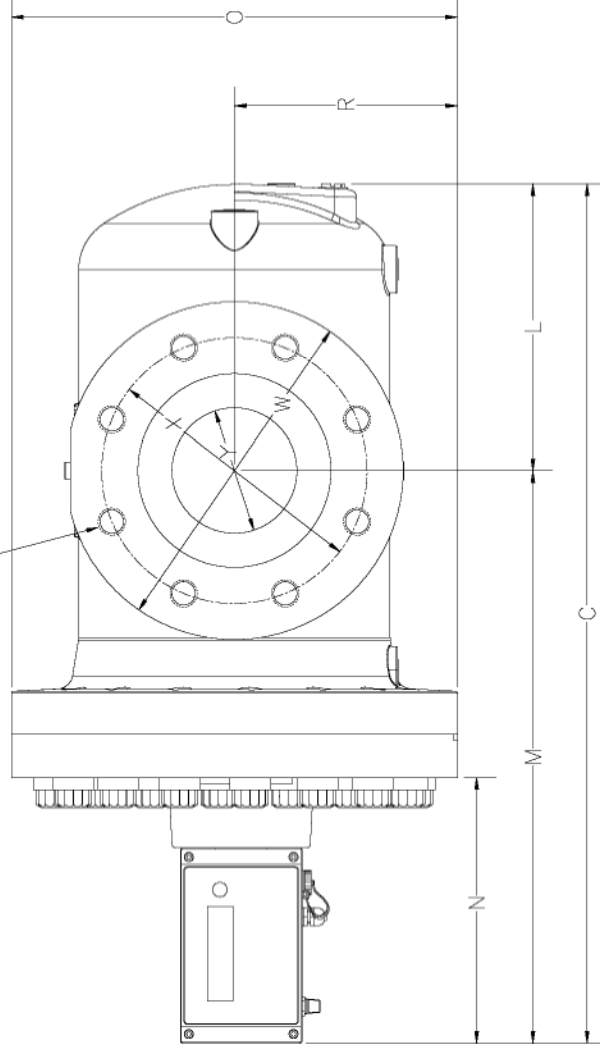
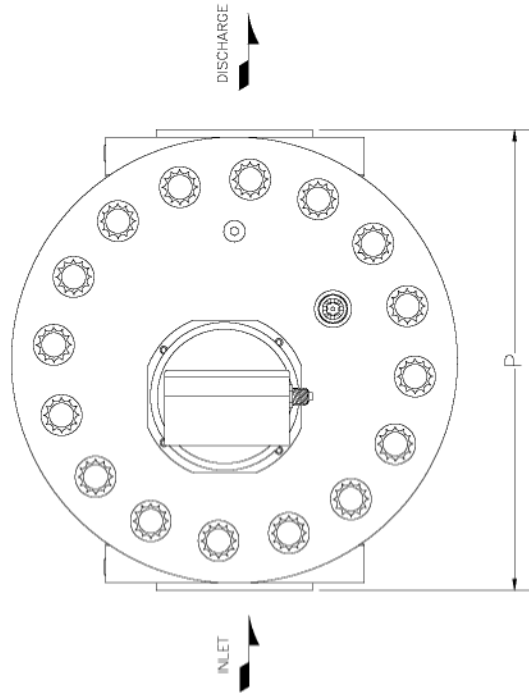
Dresser Industries & Instruments
 Houston, TX, U.S.A.

D059535-000

SERIES B-HPC
ROOTS® METER
11M 1480
WITH IMCW

MODEL	CAPACITY		DIMENSIONS												APPROX. OIL CAPACITY TOP INLET	APPROX. WEIGHT lbs.	MAX. WORK PRESSURE 1480 psig. 10204 kPa
	11000 cfm	311.5 m ³ /h	UNIT	C	L	M	N	O	P	R	W	X	Y	Z			
11M			IN	27.1/2	9.3/16	18.5/16	8.1/2	14.9/32	14.3/4	7.1/8	10.13/16	8.1/2	4	8	12 oz.	278	1480
			mm	698.6	233	465.4	216	382.7	371.7	181.4	274.6	216	4	8	355 oz.	126 kg.	10204

11M 1480 = 7/8-9UNC-2B FULL THREAD THRU
Z = NO. OF HOLES



07/2007 D059374-000

THE	DIVISIONAL ASSEMBLY	ROOTS METERS SERIES B3-HPC	11M 1480 W/IMCW
DATE	07/2007	DESIGNED BY	11M 1480 W/IMCW
REV	001	ISSUED BY	11M 1480 W/IMCW
REV	002	ISSUED BY	11M 1480 W/IMCW
REV	003	ISSUED BY	11M 1480 W/IMCW
REV	004	ISSUED BY	11M 1480 W/IMCW
REV	005	ISSUED BY	11M 1480 W/IMCW
REV	006	ISSUED BY	11M 1480 W/IMCW
REV	007	ISSUED BY	11M 1480 W/IMCW
REV	008	ISSUED BY	11M 1480 W/IMCW
REV	009	ISSUED BY	11M 1480 W/IMCW
REV	010	ISSUED BY	11M 1480 W/IMCW
REV	011	ISSUED BY	11M 1480 W/IMCW
REV	012	ISSUED BY	11M 1480 W/IMCW
REV	013	ISSUED BY	11M 1480 W/IMCW
REV	014	ISSUED BY	11M 1480 W/IMCW
REV	015	ISSUED BY	11M 1480 W/IMCW
REV	016	ISSUED BY	11M 1480 W/IMCW
REV	017	ISSUED BY	11M 1480 W/IMCW
REV	018	ISSUED BY	11M 1480 W/IMCW
REV	019	ISSUED BY	11M 1480 W/IMCW
REV	020	ISSUED BY	11M 1480 W/IMCW

ROOTS METERS & INSTRUMENTS	11M 1480 W/IMCW
DESIGNED BY	11M 1480 W/IMCW
ISSUED BY	11M 1480 W/IMCW
DATE	07/2007
REV	001
REV	002
REV	003
REV	004
REV	005
REV	006
REV	007
REV	008
REV	009
REV	010
REV	011
REV	012
REV	013
REV	014
REV	015
REV	016
REV	017
REV	018
REV	019
REV	020

ROOTS METERS & INSTRUMENTS	11M 1480 W/IMCW
DESIGNED BY	11M 1480 W/IMCW
ISSUED BY	11M 1480 W/IMCW
DATE	07/2007
REV	001
REV	002
REV	003
REV	004
REV	005
REV	006
REV	007
REV	008
REV	009
REV	010
REV	011
REV	012
REV	013
REV	014
REV	015
REV	016
REV	017
REV	018
REV	019
REV	020

ROOTS METERS & INSTRUMENTS	11M 1480 W/IMCW
DESIGNED BY	11M 1480 W/IMCW
ISSUED BY	11M 1480 W/IMCW
DATE	07/2007
REV	001
REV	002
REV	003
REV	004
REV	005
REV	006
REV	007
REV	008
REV	009
REV	010
REV	011
REV	012
REV	013
REV	014
REV	015
REV	016
REV	017
REV	018
REV	019
REV	020

ROOTS METERS & INSTRUMENTS	11M 1480 W/IMCW
DESIGNED BY	11M 1480 W/IMCW
ISSUED BY	11M 1480 W/IMCW
DATE	07/2007
REV	001
REV	002
REV	003
REV	004
REV	005
REV	006
REV	007
REV	008
REV	009
REV	010
REV	011
REV	012
REV	013
REV	014
REV	015
REV	016
REV	017
REV	018
REV	019
REV	020

ROOTS METERS & INSTRUMENTS	11M 1480 W/IMCW
DESIGNED BY	11M 1480 W/IMCW
ISSUED BY	11M 1480 W/IMCW
DATE	07/2007
REV	001
REV	002
REV	003
REV	004
REV	005
REV	006
REV	007
REV	008
REV	009
REV	010
REV	011
REV	012
REV	013
REV	014
REV	015
REV	016
REV	017
REV	018
REV	019
REV	020

ROOTS METERS & INSTRUMENTS	11M 1480 W/IMCW
DESIGNED BY	11M 1480 W/IMCW
ISSUED BY	11M 1480 W/IMCW
DATE	07/2007
REV	001
REV	002
REV	003
REV	004
REV	005
REV	006
REV	007
REV	008
REV	009
REV	010
REV	011
REV	012
REV	013
REV	014
REV	015
REV	016
REV	017
REV	018
REV	019
REV	020

ROOTS METERS & INSTRUMENTS	11M 1480 W/IMCW
DESIGNED BY	11M 1480 W/IMCW
ISSUED BY	11M 1480 W/IMCW
DATE	07/2007
REV	001
REV	002
REV	003
REV	004
REV	005
REV	006
REV	007
REV	008
REV	009
REV	010
REV	011
REV	012
REV	013
REV	014
REV	015
REV	016
REV	017
REV	018
REV	019
REV	020

ROOTS METERS & INSTRUMENTS	11M 1480 W/IMCW
DESIGNED BY	11M 1480 W/IMCW
ISSUED BY	11M 1480 W/IMCW
DATE	07/2007
REV	001
REV	002
REV	003
REV	004
REV	005
REV	006
REV	007
REV	008
REV	009
REV	010
REV	011
REV	012
REV	013
REV	014
REV	015
REV	016
REV	017
REV	018
REV	019
REV	020

ROOTS METERS & INSTRUMENTS	11M 1480 W/IMCW
DESIGNED BY	11M 1480 W/IMCW
ISSUED BY	11M 1480 W/IMCW
DATE	07/2007
REV	001
REV	002
REV	003
REV	004
REV	005
REV	006
REV	007
REV	008
REV	009
REV	010
REV	011
REV	012
REV	013
REV	014
REV	015
REV	016
REV	017
REV	018
REV	019
REV	020