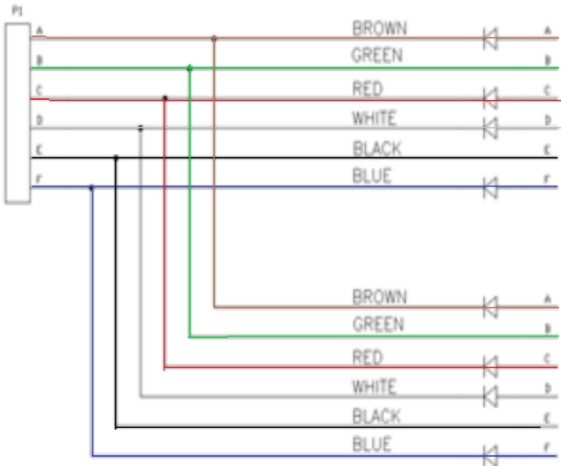
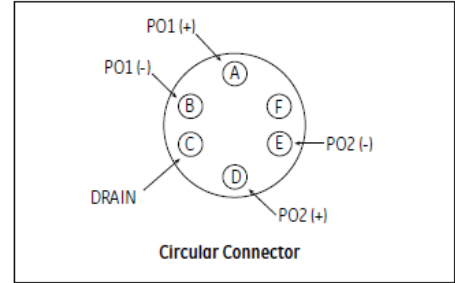


# IMCW2 WIRING

## Circular Connector



Position	
A	PO1+
B	PO1-
C	GRND (DRAIN)
D	PO2+
E	PO2-
F	



## Wiring for Power

