

# SPECIFICATIONS

OPERATING CURRENT: ~3mA @ 12VDC

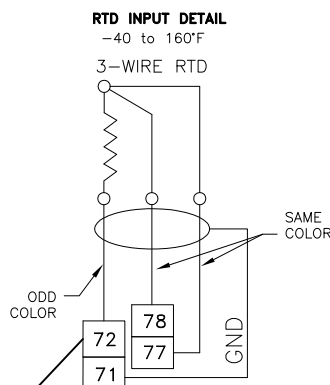
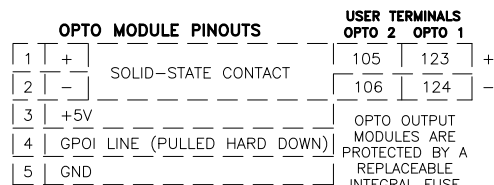
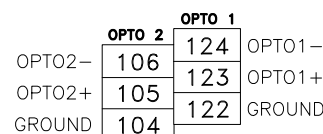
SLEEP CURRENT: N/A

VOLTAGE RANGE: N/A

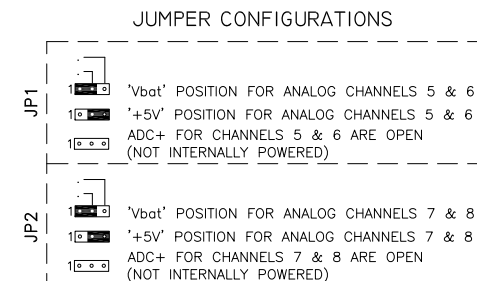
OPERATING TEMPERATURE: -40°C to +70°C  
(-40°F to +160°F)

## OPTO MODULE SPECS

TYPE	PART #	COLOR	mA
NO OPTO	---	---	.
DC OUT (60VDC, 2A)	2030164	RED	.
RELAY (500mA)	2030165	RED	.
DC INPUT (32VDC)	2030166	WHITE	.
AC INPUT (90-140VAC)	2030167	YELLOW	.
AC OUT (120VAC, 2A)	2030168	BLACK	.

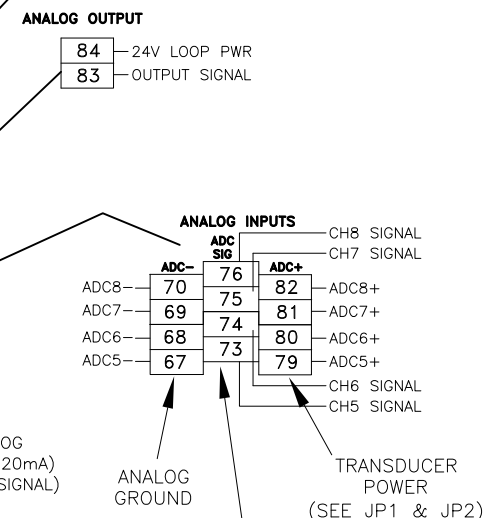
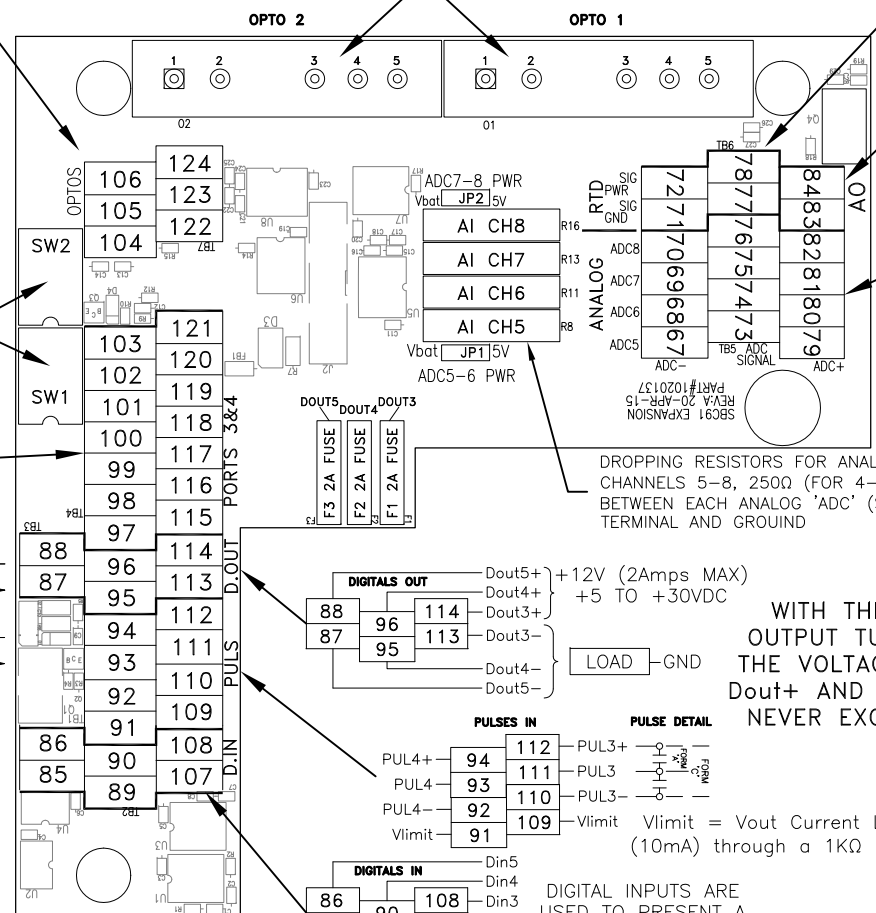
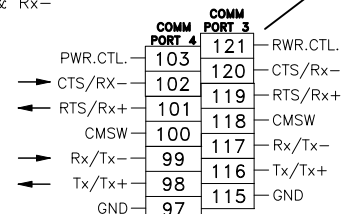
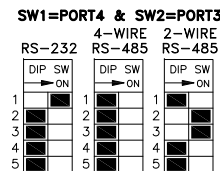


THIS E3-EXTENDER PLUGS ONTO THE E3 PROCESSOR BOARD TO ADD ANALOG INPUTS, RTD INPUTS, ANALOG OUTPUTS, COMM PORTS, DIGITAL INPUTS AND OUTPUTS, PULSE INPUTS, AND OPTOS.



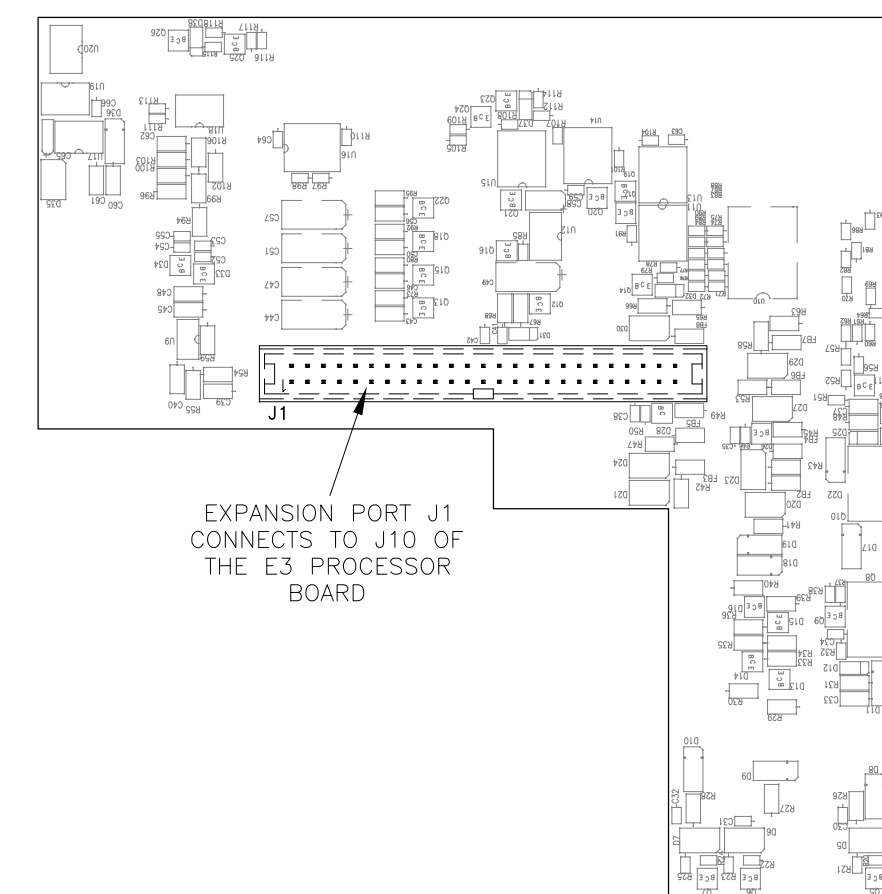
## DIPSWITCH ASSIGNMENTS

- 1-'ON' ENABLES RS232 'OFF' ENABLES RS485
- 2-'ON' CONNECTS Tx to Rx (2-WIRE) 'OFF' FREES Tx from Rx (4-WIRE)
- 3-'ON' CONNECTS Tx to Rx (2-WIRE) 'OFF' FREES Tx from Rx (4-WIRE)
- 4-'ON' CONNECTS A 14.7K RESISTOR BETWEEN Tx+ & Tx- 5-'ON' CONNECTS A 120 OHM RESISTOR BETWEEN Rx+ & Rx-



WITH THE DIGITAL OUTPUT TURNED OFF, THE VOLTAGE BETWEEN Dout+ AND Dout- MUST NEVER EXCEED 40VC.

DIGITAL INPUTS ARE USED TO PRESENT A FIELD STATUS TO THE PROCESSOR



## DIGITAL ADDRESSING

Hardware Function	Description	Port Bit
DIN3	Digital In 3	1.3
DIN4	Digital In 4	1.4
DIN5	Digital In 5	1.5
DOUT3	Digital Out 3	2.3
DOUT4	Digital Out 4	2.4
DOUT5	Digital Out 5	2.5
OPTO1	OPTO1	4.1
OPTO2	OPTO2	4.2
PUL3	Pulse Input 3 (CONFIGURED AS A DIGITAL INPUT)	5.3
PUL4	Pulse Input 4 (CONFIGURED AS A DIGITAL INPUT)	5.4
PWRCTRL3	RS232 Power Control 3	6.3
PWRCTRL4	RS232 Power Control 4	6.4
CMSW3	RS232 Com Switch 3	7.3
CMSW4	RS232 Com Switch 4	7.4
RTS3	RTS ComPort 3	8.3
RTS4	RTS ComPort 4	8.4

## PULSE ADDRESSING

Hardware Function	Description	Port Bit
PUL3	Pulse Input 3	1.3
PUL4	Pulse Input 4	1.4

## ANALOG ADDRESSING

Address	Description
1.1	Analog Output (AO)
5	Analog Input 5 (ADC5)
6	Analog Input 6 (ADC6)
7	Analog Input 7 (ADC7)
8	Analog Input 8 (ADC8)
10	Temperature 2 (RTD)

REV	DRFT	ENGR	CHKR	ECN#	DATE
5					
4					
3	JVF	SMC	XXX	XXX	24-OCT-17
2	DRH	SMC	XXX	XXX	29-AUG-17
1	DRH	SMC	XXX	XXX	29-MAR-16
DRAWING REVISIONS					
DWG. RELEASE ECN #: N/A					

OLD DWG # N/A

TOLERANCES - UNLESS OTHERWISE SPECIFIED

INCHES	ANGLES ± 1°	MILLIMETERS
.X±		X.±
.XX± .02"		X.X±
.XXX± .005"		X.XX±

THIS DOCUMENT IS THE PROPERTY OF EAGLE RESEARCH CORPORATION, AND ITS SUBSTANCE IS CONFIDENTIAL AND PROPRIETARY. THE CONTENTS HEREOF SHALL NOT BE PUBLISHED OR DISCLOSED TO OUTSIDE PARTIES OR USED FOR THEIR BENEFIT WITHOUT THE WRITTEN AUTHORIZATION OF EAGLE RESEARCH CORPORATION.

**EAGLE RESEARCH CORPORATION**

1076 STATE RT. 34, HURRICANE, WV 25526  
OFFICE: (304) 757-6565 FAX: (304) 757-3332 WEB: HTTP://WWW.EAGLERESEARCHCORP.COM

TITLE: **E3-EXTENDER GENERAL INFORMATION SHEET**

PROJECT: INTERNAL

DRFT: JVF 05-OCT-15  
ENGR: SMC 05-OCT-15  
CHKR: XXX XX-XXX-XX

**DRAWING NUMBER 9010499 GIS**

SCALE: NTS SHEET: 1