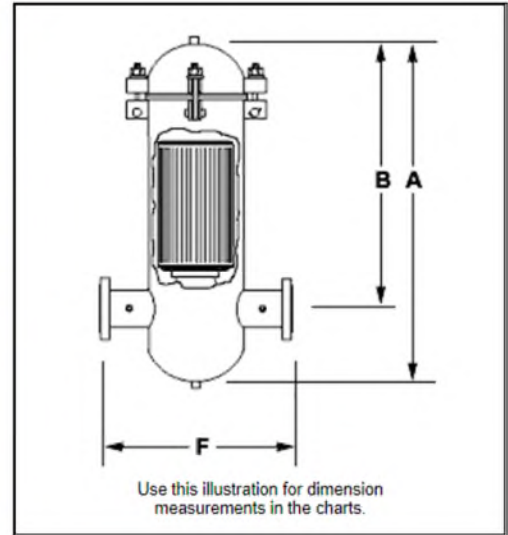


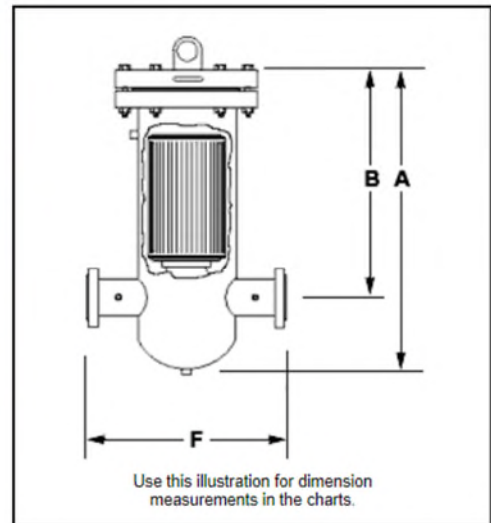
## F-Series Dimensions

STYLE 1 – Quick-Opening Closure								
PSI	Line Size	Model Number	Dimensions			Filter Element	Downloads	
			A	B	F		pdf	dwg*
180	2"	F2M-180F	18"	13"	11"	2525K140	<a href="#">.pdf</a>	<a href="#">.dwg</a>
180	2"	F2-180F	27"	20"	15"	2385K140	<a href="#">.pdf</a>	<a href="#">.dwg</a>
180	3"	F3-180F	32"	25"	18"	2394K5	<a href="#">.pdf</a>	<a href="#">.dwg</a>
180	4"	F4-180F	43"	35"	20"	2022K5	<a href="#">.pdf</a>	<a href="#">.dwg</a>
180	6"	F6-180F	42"	30"	24"	2035K5	<a href="#">.pdf</a>	<a href="#">.dwg</a>
285	2"	F2-285F	27"	20"	15"	2385K140	<a href="#">.pdf</a>	<a href="#">.dwg</a>
285	3"	F3-285F	32"	25"	18"	2394K5	<a href="#">.pdf</a>	<a href="#">.dwg</a>
285	4"	F4-285F	43"	35"	20"	2022K5	<a href="#">.pdf</a>	<a href="#">.dwg</a>
285	6"	F6-285F	42"	30"	24"	2035K5	<a href="#">.pdf</a>	<a href="#">.dwg</a>



STYLE 2 — Blind Flange with Lifting Lug								
PSI	Line Size	Model Number	Dimensions			Filter Element	Downloads	
			A	B	F		PDF	DWG
740	2"	F2-740F	26"	19"	15"	2385K140	<a href="#">.pdf</a>	<a href="#">.dwg</a>
740	3"	F3-740F	32"	25"	18"	2394K5	<a href="#">.pdf</a>	<a href="#">.dwg</a>
740	4"	F4-740F	38"	30"	20"	2022K5	<a href="#">.pdf</a>	<a href="#">.dwg</a>
1480	2"	F2-1480F	27"	20"	15"	2385K140	<a href="#">.pdf</a>	<a href="#">.dwg</a>
1480	3"	F3-1480F	33"	26"	18"	2394K5	<a href="#">.pdf</a>	<a href="#">.dwg</a>
1480	4"	F4-1480F	38"	30"	20"	2022K5	<a href="#">.pdf</a>	<a href="#">.dwg</a>

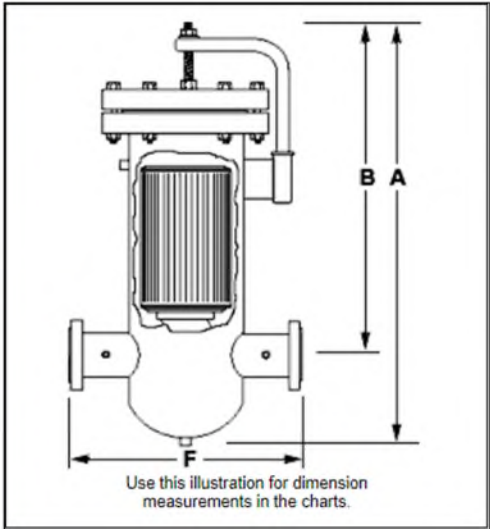
Legs or ring bases are optional on all above housings.



## F-Series Dimensions

STYLE 3 — Blind Flange with Lifting Davit								
PSI	Line Size	Model Number	Dimensions			Filter Element	Downloads	
			A	B	F		PDF	DWG
285	8"	F8-285F	47"	33"	28"	2054K5	<a href="#">.pdf</a>	<a href="#">.dwg</a>
285	10"	F10-285F	60"	44"	32"	(2)2070K5	<a href="#">.pdf</a>	<a href="#">.dwg</a>
285	12"	F12-285F	66"	47"	40"	(2)2083K5	<a href="#">.pdf</a>	<a href="#">.dwg</a>
740	6"	F6-740F	40"	29"	24"	2035K5	<a href="#">.pdf</a>	<a href="#">.dwg</a>
740	8"	F8-740F	48"	34"	28"	2054K5	<a href="#">.pdf</a>	<a href="#">.dwg</a>
740	10"	F10-740F	61"	45"	32"	(2)2070K5	<a href="#">.pdf</a>	<a href="#">.dwg</a>
740	12"	F12-740F	67"	48"	40"	(2)2083K5	<a href="#">.pdf</a>	<a href="#">.dwg</a>
1480	6"	F6-1480F	41"	29"	24"	2035K5	<a href="#">.pdf</a>	<a href="#">.dwg</a>
1480	8"	F8-1480F	49"	35"	28"	2055K5	<a href="#">.pdf</a>	<a href="#">.dwg</a>

Legs or ring bases are optional on all above housings.



STYLE 4 — Blind Flange with Hydraulic Davit								
PSI	Line Size	Model Number	Dimensions			Filter Element	Downloads	
			A	B	F		PDF	DWG
1480	10"	F10-1480F	62"	46"	32"	(2)2070K5	<a href="#">.pdf</a>	<a href="#">.dwg</a>
1480	12"	F12-1480F	68"	49"	40"	(2)2083K5	<a href="#">.pdf</a>	<a href="#">.dwg</a>

